

iSWITCH Multibox

Intelligent Energy Saver

The Intelligent iSWITCH Energy Saver offers complementary features in order to optimise the performance within any accommodation room.

What makes the iSWITCH so intelligent is that it reads the information on the card to ensure that it's a valid card of the specific property operating the power within the room.

After removing the card from the unit, about 30 seconds of courtesy timing operates, allowing the guest to leave the room.

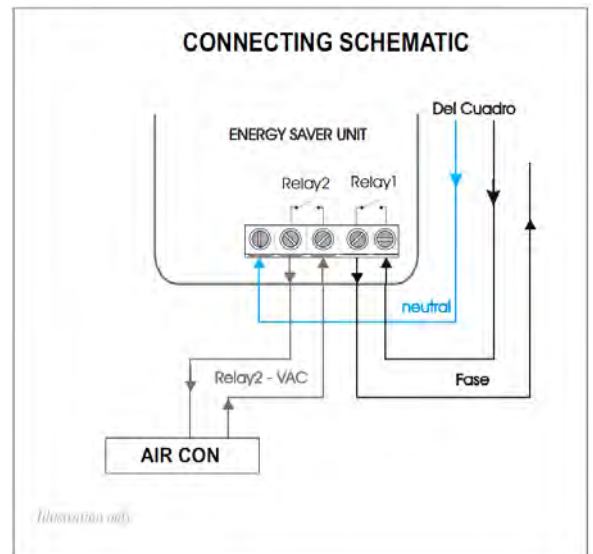
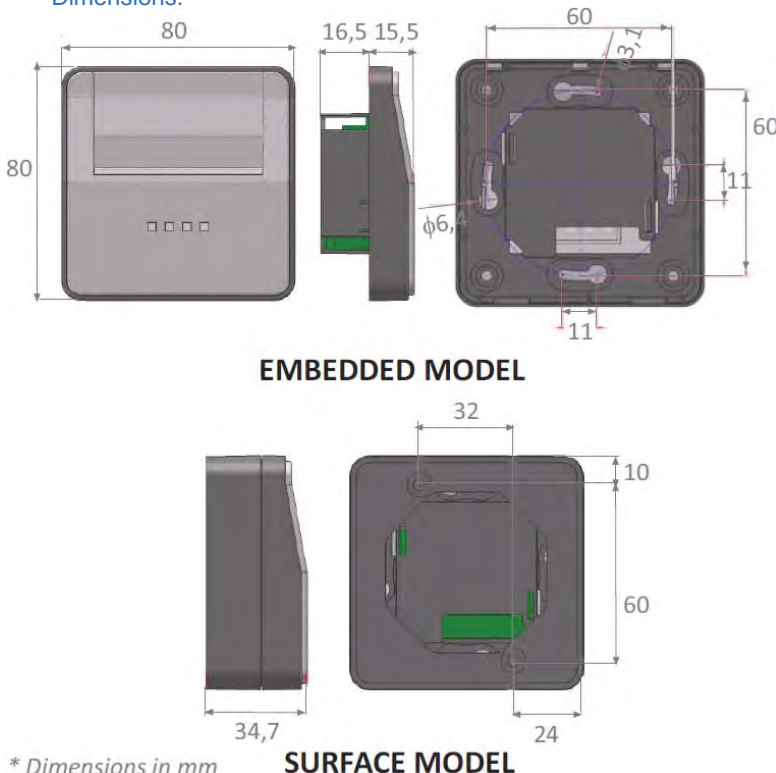
By using an intelligent Energy saver you ensure that only the guest room cards you supply to your guests are used in the iswitch.



Also available to operate with In Room Technology 

Power Supply:	Between 110 & 230 Vca
Consumption:	Nominal of 30mA. Max. 50mA (230 Vac)
Frequency:	
Output Relays:	2 Relays. One relay according to net voltage and the other one according to the free electrical voltage
	Power od cutting 12A, 250V~, cos = 1 8A, 250v~, cos = 0,6
	Incandescent max 10 A.- Carga max. Halogen 10 A
Weight:	104 grams
Material:	ABS Fireproof material (According to norm UL94 V-0)
Technologies:	RFID Mifare

Dimensions:

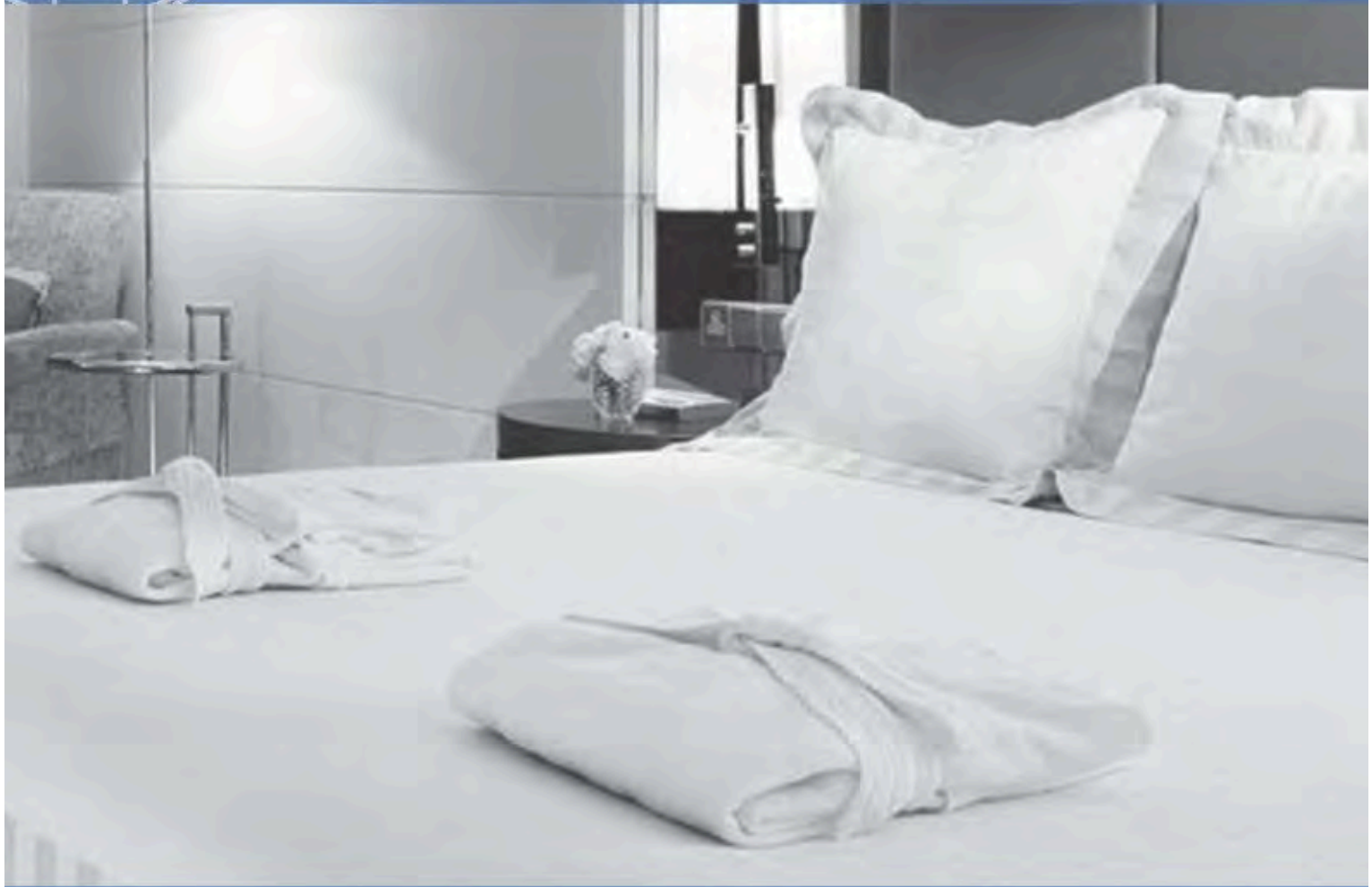


* Dimensions in mm

SURFACE MODEL

A white wireframe globe icon is positioned on the left side of a blue horizontal banner.

RELIABILITY IS THE KEY



For more information about this product or to talk to one of our sales specialists please contact us.

Vintech Systems

Phone: +61 2 9472 2000

Email: info@vintech.com.au