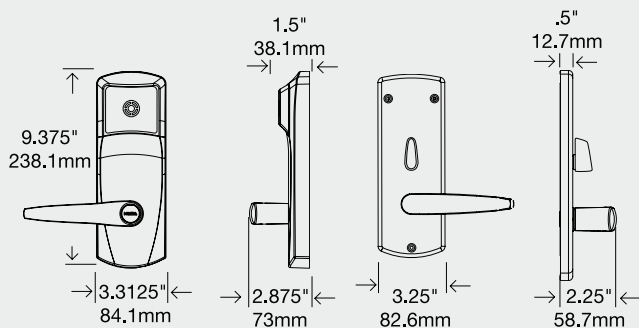


# ILCO 790 Series



### Overview

The ILCO 790 Series door lock offers contactless RFID technology to enhance guest convenience and improve operational efficiency. This RFID solution offers keycard auditing capabilities for enhanced staff monitoring & user accountability. The ILCO 790 works with both the web-based ATLASTM and the stand-alone portable Front Desk Unit (FDU). The lock is able to operate using the Kaba Mobile Key System and can be offered with one of the following options: Bluetooth Low Energy (BLE) ready or enabled

### Applications

- Suitable for small to very large scale hotels
- Easily replaces existing mechanical or electronic door locks
- Access control for guest rooms, common areas, and back-of-house

### Security Features

- High security and tamperproof design
- 1" solid deadbolt (optional auto deadbolt)
- Emergency access: Emergency keycard, mechanical key and electronic override

### Low Maintenance

- Operates with a completely sealed contactless reader
- Batteries last up to 3 years
- Low battery indicator alerts staff
- Lock programming and audit are not erased during battery replacement
- Wear resistant construction and finish
- Upgradeable lock firmware

## Mechanical Features

<i>Description</i>	Heavy duty electronic lockset with clutch mechanism and built-in contactless RFID reader (mortise or cylindrical)
<i>Handing</i>	Left or right factory handed mortise, field reversible handing (lever and mortise)
<i>Lever</i>	ADA compliant, outside lever free to rotate upward and downward in locked mode. Lever clearance (space from end of lever to door): Long Lever: 3/8" (9.5mm) Short Lever: 2" (51mm) Elevon & Gala Lever: 2" (58mm)
<i>Concealed Key Override (optional)</i>	ILCO KIK Core (keyed-alike, master keyed, recodable) Best small IC adaptor
<i>Deadbolt</i>	1" (25 mm) (for ASM mortise) or 2 1.4 mm (for ESM mortise) solid metal, projected by inside thumbturn and retracted with the latch by the interior handle, emergency override or specific staff keycards. Optional auto deadbolt available
<i>Door Thickness</i>	From 1 3/8" to 2 1/2" (35mm to 66mm)
<i>Shipping Weight</i>	8.5 lbs (3.8 kg)
<i>Housing Construction</i>	Cast zinc alloy (outside housing levers and thumbturn), stainless steel inside housing
<i>Standard Finishes</i>	Satin chrome, satin brass and ultra finish for ocean front applications
<i>Standard Backset</i>	2 3/4" (70mm) backset, 2 3/8" (60mm) backset also available for cylindrical lock
<i>Locking Options</i>	ANSI lock case with 1 1/4" or 1" lock front mortise. Optional automatic deadbolt Cylindrical latch (2 3/8" or 2 3/4" backset) European lock case mortise [20 x 165 mm] with round (20 or 23 x 235 mm) or square (20 x 235 mm) lock front mortise
<i>Mobile Key Options (BLE)</i>	BLE ready: Upgradable to BLE by BLE module BLE enabled: End cap with BLE module included, no further upgrades needed (soon available)

## Batteries

<i>Alkaline</i>	3 AA batteries for up to 120,000 openings or up to 3 years (based on 10 openings per day). Low battery indicator: alerts staff that batteries need to be changed soon
-----------------	---

## Lock Operation

<i>Date/Time Stamp</i>	Real time: date and hours/minutes
<i>Programming and Audit Trail Downloading</i>	Can be done using a 4K audit keycard or by using Kaba M-Unit or FDU
<i>Pre-registered Keycards</i>	Up to 10 days in advance
<i>Keycard Expiry</i>	From 1 hour to 7 years, depending on type and setup
<i>Passage Mode</i>	Set by authorized keycard
<i>Lockout Mode</i>	Set by authorized keycard
<i>Keycards Accepted</i>	RFID cards or tags (ISO 14443, Mifare Classic (4 Byte NUID))
<i>Feedback</i>	"Dual sensory" audible and visible indicators
<i>Diagnostics</i>	Built-in battery voltage meter and lock version display
<i>Audit Memory</i>	Last 2000 transactions stored in lock (lock audit can be retrieved using M-unit or FDU or using lock audit keycard)
<i>Disability Feature</i>	Extended unlock time (4 seconds standard, 15 seconds for disability)
<i>Privacy Override</i>	Default emergency keycard only (user selectable)

## Certification and Testing

<i>Accessibility Standard</i>	ADA compliant levers (Code of Federal Regulations 28 CFR Part 36 – 1994 "ADA Standards for Accessible Design")
<i>BHMA/ANSI</i>	Certified to be compliant with Grade One performance tests for "ANSI/BHMA A156.13-2005 Standard for Mortise Locks and Latches," and "ANSI/BHMA A156.25-2007 Standard for Electrified Locking Devices." (Only locks tested and approved by non-biased third-party test lab are allowed in the "BHMA Certified Products Directory" found at <a href="http://www.buildershardware.com">www.buildershardware.com</a> )
<i>Fire Rating</i>	Listed for pre-prepared manufactured doors and certified for retrofitting on existing doors by Underwriters Laboratories for use on fire doors having up to a three-hour rating. U.L. Certification: "Accessories for Single-point Locks and Latches and Fire Exit Hardware." Evaluated in accordance with UL 10B and UL 10C. U.L. Listing: "Electrically Controlled Single-point Locks and Latches." Evaluated in accordance with UL 10B and UL 10C. Also classified in accordance with Uniform Building Code Standard 7-2, "Fire Test of Door Assemblies" (1997)
<i>Electronics</i>	FCC Part 15 Class A and CE directive 89/336/EEC compliant
<i>Environmental Operating Conditions</i>	-31°F to 151°F (-35°C to 66°C) 0% to 85% non-condensing humidity at 86°F (30°C)
<i>Florida Building Code</i>	Approved in the exterior door category (exterior door components). Code of approval is FL13061

## Warranty

<i>Standard Factory</i>	Two years
<i>Extended Warranty</i>	Kaba Service Plans (Platinum, Gold, Silver)

Kaba

[www.kabalodging.com](http://www.kabalodging.com)

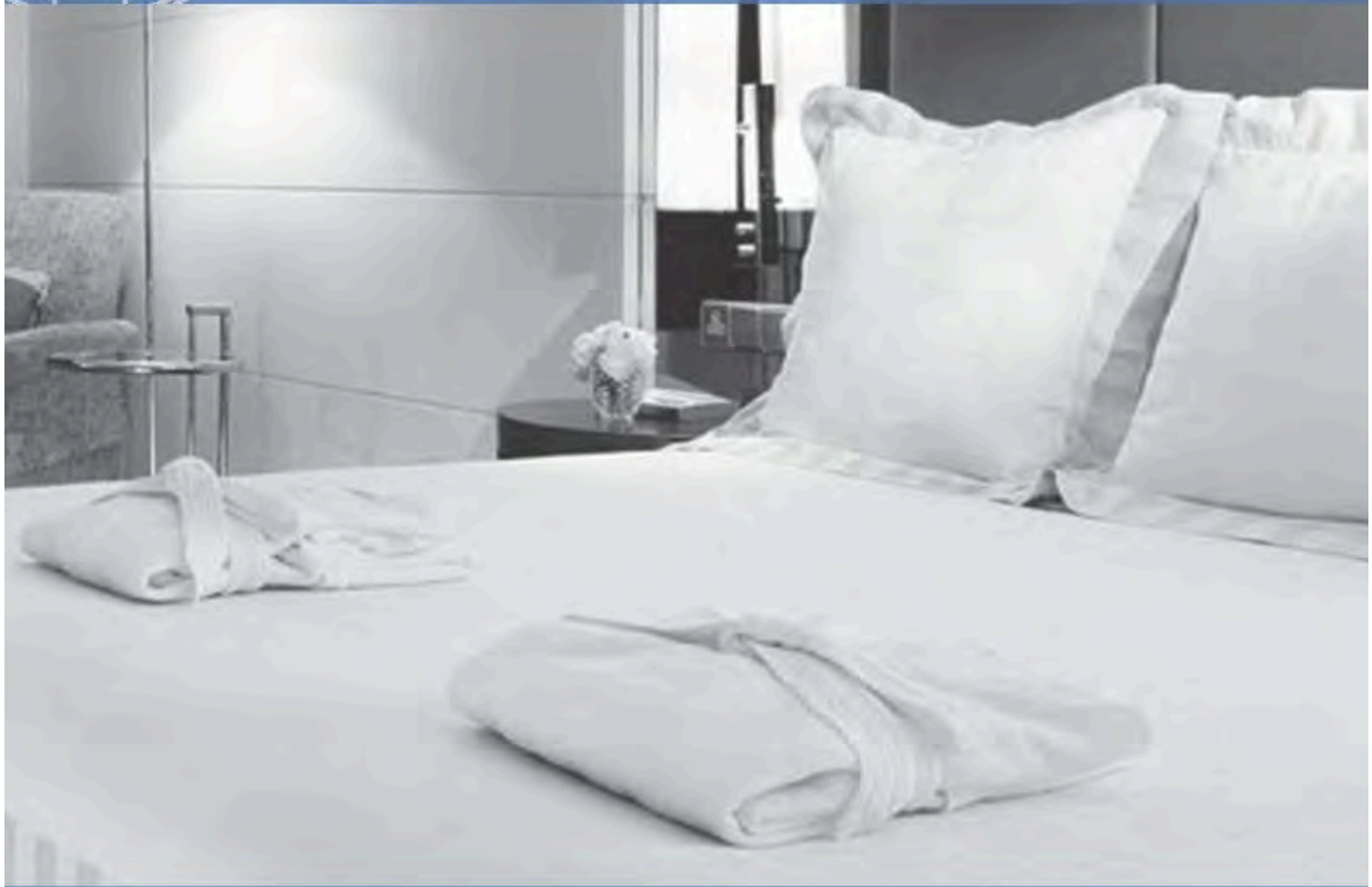
ILCO: 1.877.468.3555 +1.514.735.5410

[www.ilcostore.com](http://www.ilcostore.com)

M3566\_09\_15



RELIABILITY IS THE KEY



For more information about this product or to talk to one of our sales specialists please contact us.

Vintech Systems

Phone: +61 2 9472 2000

Email: [info@vintech.com.au](mailto:info@vintech.com.au)