

The DN 5.4 drawer safe provides the ultimate in guest room security in a unique, space saving design. Typically situated in a credenza or near the desk, the drawer safe allows quick access for guests to secure their valuables. Large enough to accommodate a 15" laptop, the safe features a hydraulic lift arm for easy use.

Operationally, the DN 5.4 and the industrial strength Emergency Handheld Override (EHO) are easy to learn and simple to operate. Hotels looking for added security often select the Medeco UL-rated fail-safe override key system. As an added peace of mind, all Safemark safes include a limited 5-year manufacturer's warranty and an exclusive \$10,000 warranty against forced entry.



AVAILABLE IN BLACK OR CUSTOM COLORS



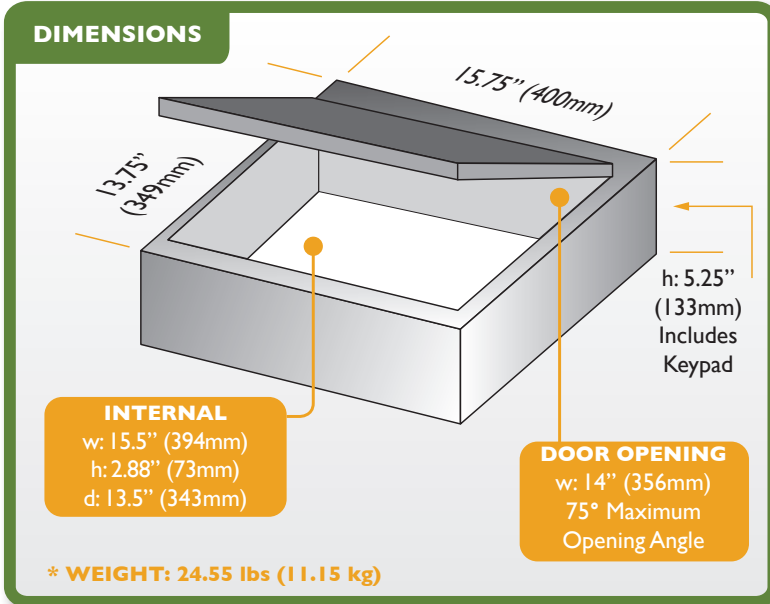
OPTIONAL PEDESTAL



ILLUMINATED KEYPAD

FEATURES:

- 4 Digit User Code
- Illuminated ADA-Compliant Keypad
- Enhanced LED Display
- Audio Visual Operating Signals
- 240 Event Audit Trail
- Low Battery Indicator
- Self-Diagnostic System
- Motorized Locking System
- Hydraulic Arm Assist
- Internal Light



CONSTRUCTION:

- Cold-Rolled Steel Door
- 13 Gauge Steel Body
- Two 3/4" (19mm) Diameter Steel Locking Bolts
- Hidden Hinges
- 4 AA Alkaline Batteries
- Standard Finish: Black or Custom Colors
- Windows™ Based Software

MODEL SPECIFIC OPTIONS:

- Concealed Medeco™ Fail-Safe Key Lock Override (UL 437 Listed, ANSI A146.11 Grade 1)
- Security Cable
- Tamper Proof Installation Hardware
- 13 1/2" (342.9mm) Pedestal to raise safe to a comfortable usage height

240 EVENT AUDIT TRAIL:

Audit retains the following information:

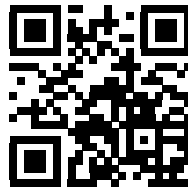
- Time/Date of Each Safe Locking/Opening
- Full Identity (Full Name) of Authorized Staff Members Who Have Opened a Locked Safe
- Time/Date of Countdowns
- Time/Date of Medeco™ Key Openings
- Time/Date of Battery Replacement



Hydraulic Arm Assist



Emergency Handheld Override (EHO)



SAFE AUDIT REPORT

Hotel Operation
HOLIDAY INN

Room No. : 1905

Printing Time: 05-18-2011 22:09:54

TIME	OPERATION METHOD
05-18-2011 16:58:32	OPENED BY Bob Eamer
05-18-2011 16:58:43	OPENED BY Lorraine Wallis
05-18-2011 16:58:54	OPENED BY John Foley
05-18-2011 16:59:13	OPENED BY KEY
05-18-2011 16:59:34	OPENED BY Bob Eamer
05-18-2011 16:59:47	OPENED BY Jenny Pike
05-18-2011 17:00:01	OPENED BY Josh Lane
05-18-2011 17:00:11	OPENED BY Jennifer Ferris
05-18-2011 17:00:25	OPENED BY KEY

HEADQUARTERS

2101 Park Center Dr, Suite 125
Orlando, FL 32835
(800) 255 8818 x118 Phone
(407) 299 0044 Phone
(407) 299 7650 Fax

INTERNATIONAL

asiapacific@safemark.com
middleeast@safemark.com
europe@safemark.com
africa@safemark.com
latinamerica@safemark.com
canada@safemark.com

ONLINE

www.safemark.com
sales@safemark.com
Skype: Safemark



RELIABILITY IS THE KEY



For more information about this product or to talk to one of our sales specialists please contact us.

Vintech Systems

Phone: +61 2 9472 2000

Email: info@vintech.com.au