

Compact, rugged and affordable, Safemark's Tribute series affirms that good things come in small packages. Built for today's popular electronic companions, the T 4.0 is designed to easily accommodate tablets, smart phones, 15" laptops and more. Hotels across the globe, cruise ships and others will benefit from Safemark's three decades of experience and precision craftsmanship while guests will appreciate a user-friendly and convenient safe to secure their valuables.

T 4.0

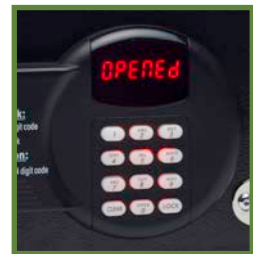
Operationally, the T 4.0 and the industrial strength Emergency Handheld Override (EHO) are easy to learn and simple to operate. A limited 2-year manufacturer's warranty and standard Cobra™ fail-safe override key system round out this exceptional product.



AVAILABLE IN BLACK OR CUSTOM COLORS



OPTIONAL PEDESTAL



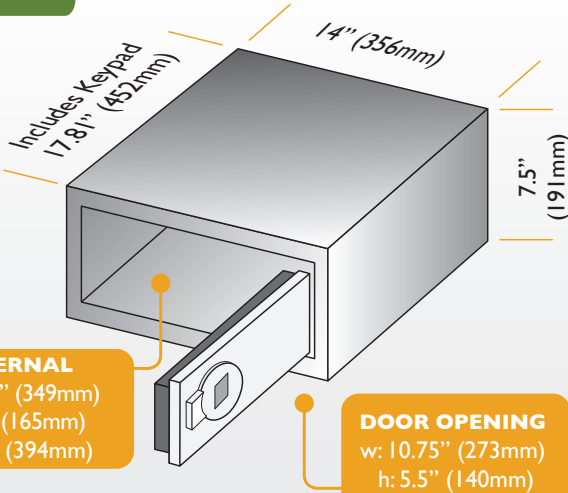
ILLUMINATED KEYPAD

FEATURES:

- 4 Digit User Code
- Illuminated ADA-Compliant Keypad
- Enhanced LED Display
- Audio Visual Operating Signals
- 240 Event Audit Trail
- Low Battery Indicator
- Quick-Access Battery Panel
- Self-Diagnostic System
- Raised Floor for Easy-Access
- Internal Light

*Safemark's forced entry warranty does not apply to the T 4.0

DIMENSIONS



* **WEIGHT: 26.6 lbs (12.1 kg)**

CONSTRUCTION:

- Cold-Rolled Steel Door
- 13 Gauge Steel Body
- Two 3/4" (19mm) Diameter Steel Locking Bolts
- 4 AA Alkaline Batteries
- Standard Finish: Black (Custom Colors Available with Upcharge)
- Cobra™ Key Override System

MODEL SPECIFIC OPTIONS:

- 13.5" (343mm) Pedestal
- Left/Right Hinging

240 EVENT AUDIT TRAIL:

Audit retains the following information:

- Time/Date of Lockout
- Full Identity (Full Name) of Authorized Staff Members Who Have Opened a Locked Safe
- Time/Date of Countdowns
- Time/Date of Cobra™ Key Openings
- Time/Date of Battery Replacement



Cobra™ Key
Override System



Emergency Handheld
Override (EHO)

SAFE AUDIT REPORT

Hotel Operation
Property: The Venetian

Room No.: 1905

Printing Time: 01-23-2013 22:09:54

Time	Operation Method
01-22-2013 17:00:25	OPENED BY KEY
01-22-2013 17:00:11	OPENED BY Jennifer Ferris
01-22-2013 17:00:01	OPENED BY Josh Lane
01-22-2013 16:59:47	OPENED BY Jenny Pike
01-22-2013 16:59:34	OPENED BY Bob Eamer
01-22-2013 16:59:13	OPENED BY KEY
01-22-2013 16:58:54	OPENED BY John Foley
01-22-2013 16:58:43	OPENED BY Lorraine Wallis
01-22-2013 16:58:32	OPENED BY Bob Eamer



HEADQUARTERS

2101 Park Center Dr, Suite 125
Orlando, FL 32835
(800) 255 8818 x118 Phone
(407) 299 0044 Phone
(407) 299 7650 Fax

INTERNATIONAL


asiapacific@safemark.com
middleeast@safemark.com
europe@safemark.com
africa@safemark.com
latinamerica@safemark.com
canada@safemark.com

ONLINE

www.safemark.com
sales@safemark.com
Skype: Safemark

A white wireframe globe icon is positioned on the left side of a blue horizontal banner.

RELIABILITY IS THE KEY

A grayscale photograph of a hotel room serves as the background for the lower half of the page. It shows a bed with white linens, two folded white bathrobes on the bed, and a bedside table with a lamp and a small vase of flowers.

For more information about this product or to talk to one of our sales specialists please contact us.

Vintech Systems

Phone: +61 2 9472 2000

Email: info@vintech.com.au